

NEW



MALOSSSI

MAXI FLY CLUTCH

**NOT adjustable
automatic clutch**

5217848B **NEW**

€ 146.14

YAMAHA X MAX 300 ie 4T LC euro 4 2017->



Maxi Fly clutch is the result of the experience that Malossi engineers have accumulated with the Maxi Delta Cutch adjustable automatic clutch. This new clutch has been designed and constructed to adapt perfectly to a standard vehicle and guarantee impeccable performance on all occasions. Maxi Fly Clutch is supplied pre-calibrated according to instructions supplied by our engineers

after exhaustive testing on accelerometer benches to check the reliability of every part.

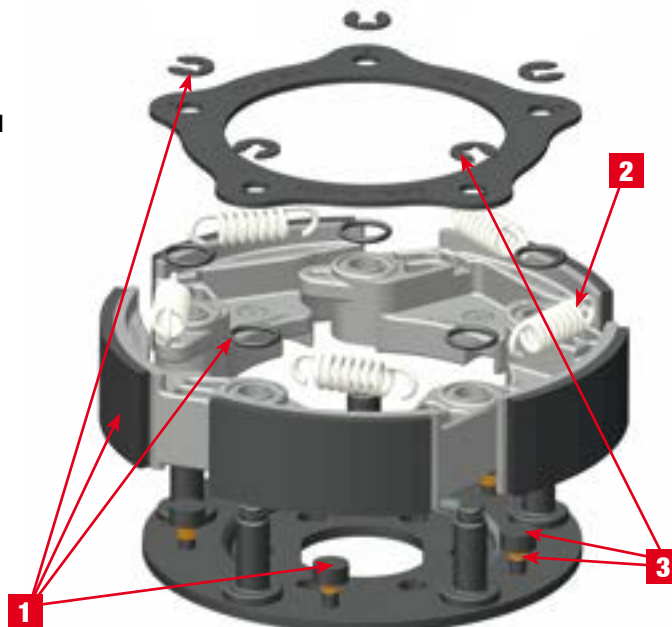
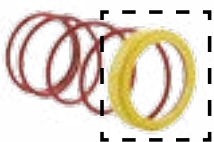
Malossi's Maxi Fly Clutch is designed with particular attention to dimensioning and material selection.

Therefore, the Maxi Fly Clutch is a high-technology replacement that offers maximum reliability and extremely long life.

SPARE PARTS

- 1** CLUTCH SHOE KIT
- 2** SPRINGS SET FOR CALIBRATION
- 3** ANTI-VIBRATION RUBBERS KIT

- 4** TORSION CONTROLLER
springs for calibration



**OPTIONAL
SETTING SPRING KIT**
(spare springs are included)

29 9605

			R		
	S				
T					

2000 4000 6000 8000 10000 R.P.M.

2911326

				R	
		S			
	T				

1750 2250 2750 3250 3750 4250 R.P.M.

2913137

				R	
		S			
	T				

1750 2250 2750 3250 3750 4250 R.P.M.

	5212522	5212539	5212544	5212813	5212819	5212823	5212840	5213060	5213296	5213333	5217041	5217058B	5217088B	5217848B
1	5212675	5212762	5212760	5212935	5212936	5212937	5212938	5213358	5212937	5212935	5217624	5212675	5217252	5213358
2	29 9603B	-	29 9603B	2912934	2912934	2912934	-	2912934	2912934	2912934	2912934	29 9603B	29 9603B	2912934
3	1316875	1316875	1316875	1312933	1312933	1312933	1316875	1312933	1312933	1312933	1312933	1316875	1316875	1312933
4	-	-	-	-	-	-	-	-	-	2513340B	2517018B	-	-	-
OPTIONAL	29 9605	29 9605	29 9605	2913137	2913137	2913137	2911326	2913137	2913137	2913137	2913137	29 9605	-	2913137

NEW Fly System - Maxi Fly System

Centrifugal clutch system with clutch bell.

Two products that Malossi produces and sells separately, with great success.

Malossi now offers these two quality products paired, guaranteeing the optimal scooter transmission performance.

Due to the strong demand for these two products, we decided to offer them both in a single package.

This allows Malossi to supply two quality products with a cost savings for the customer. Further improving a product is Malossi's passion, constantly searching for any aspect to improve hence optimizing operation and increasing reliability and safety. This directly benefits the customer.

Fly System		for ENGINES *
5214111 - Ø 107 € 69.00	Clutch Bell 7711115 € 27.34  Fly Clutch 52 8797 € 52.00	PIAGGIO 50 2T
5214112 - Ø 107 € 69.00	Clutch Bell 7711124 € 27.34  Fly Clutch 52 9450 € 52.00	YAMAHA 50 2T

Maxi Fly System		for ENGINES *
5214727 - Ø 120 € 107.00	Maxi Clutch Bell 7714335 € 41.00  Maxi Fly Clutch 5212544 € 81.20	YAMAHA 125 2T
5217724 - Ø 125 € 125.00 NEW	NEW Maxi Wing Clutch Bell 7717695B € 54.63  Maxi Fly Clutch 5212522 € 77.40	HONDA 125 - 200 4T
5217864 - Ø 125 € 152.50 NEW	NEW Maxi Wing Clutch Bell 7717866B € 60.00  Maxi Fly Clutch 5212522 € 77.40	YAMAHA 155 4T 2017->
5218125 - Ø 125 € 107.00	Maxi Clutch Bell 7715648 € 42.00  Maxi Fly Clutch 5217058B € 70.37	PIAGGIO 125 - 150 4T

Products to be used exclusively for racing in places specially designed for such activity according to the regulations of the competent sporting authorities. We accept no liability resulting from improper use.

NEW

Maxi Fly System			for ENGINES *
5217363 - Ø 130 € 110.00	Maxi Wing Clutch Bell 7717083B € 60.00	 Maxi Fly Clutch 5217088B € 77.40	KYMCO 125 - 200 4T
5218259 - Ø 150 € 238.00 NEW	NEW Maxi Wing Clutch Bell 7717969B € 115.00	 Maxi Fly Clutch 5213060 € 146.14	SUZUKI 400 4T <-2007
5217856 - Ø 150 € 191.00 NEW	Maxi Wing Clutch Bell 7717853B € 72.00	 Maxi Fly Clutch 5217848B € 146.14	YAMAHA 300 4T 2017->
5217362 - Ø 152 € 165.00 - SPORT 5217420 - Ø 153 € 175.00 - MHR	Maxi Wing Clutch Bell 7717027B € 52.00	 Maxi Fly Clutch 5217041 € 146.14	KYMCO 250 - 350 4T
Maxi Wing Clutch Bell 7715900B € 59.00	 Maxi Fly Clutch 5217041 € 146.14		
5216181 - Ø 160 € 180.00	Maxi Wing Clutch Bell 7715576B € 70.00	 Maxi Fly Clutch 5213296 € 146.14	SUZUKI 400 4T 2007->
5216202 - Ø 160 € 165.00	Maxi Wing Clutch Bell 7715579B € 54.63	 Maxi Fly Clutch 5212813 € 146.14	PIAGGIO 400 - 500 4T
5216331 - Ø 160 € 175.00	Maxi Wing Clutch Bell 7715582B € 60.00	 Maxi Fly Clutch 5212819 € 146.14	YAMAHA 400 4T

Products to be used exclusively for racing in places specially designed for such activity according to the regulations of the competent sporting authorities. We accept no liability resulting from improper use.